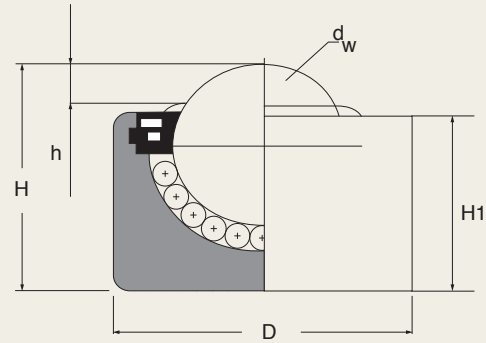


BALL TRANSFER UNIT SBM 12 B D=20

SOLID MACHINED BODY WITHOUT UPPER FLANGE.
BALLS MADE IN CHROME STEEL AISI 52100.
SELF CLEANING HOLE INCORPORATED.

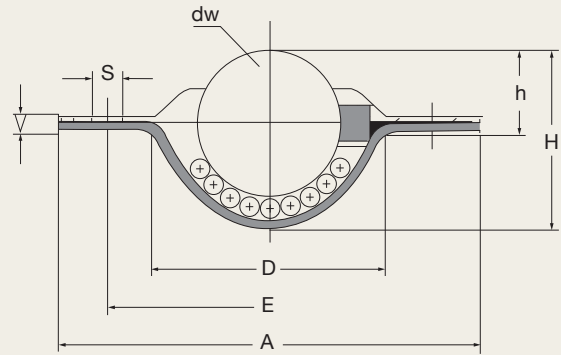


Reference	Specifications	dw	D	A	h	H	H1	E	Ø S	V	Kg Load
SBM 12 B D=20	ZINC PLATED MACHINED BODY AND STEEL BALLS	12	20±0,065		3	16,5±0,2	13				25

*All measures in mm.

BALL TRANSFER UNIT SPS B "DV"

WITH TWO FIXING HOLES IN UPPER FLANGE.
PRESSED STEEL BODY.
BALLS MADE IN CHROME STEEL AISI 52100.



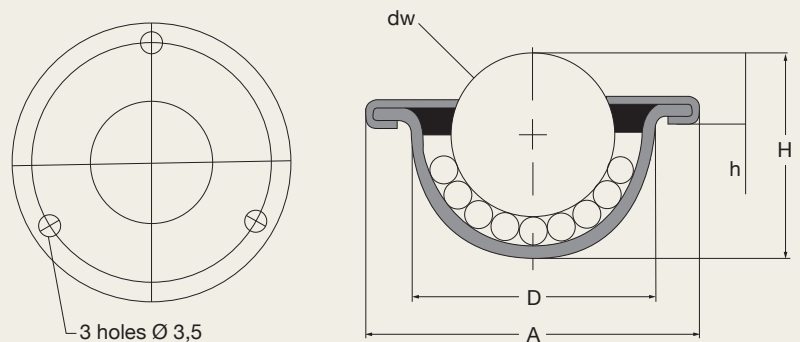
Reference	Specifications	dw	D	A	h	H	H1	E	Ø S	V	Kg Load
SPS 15 B "DV"	ZINC PLATED PRESSED STEEL BODY AND STEEL BALLS	15,8	23	41	10,8±0,3	19,3±0,3		30	2 x 3,5	3,4	15
SPS 25 B "DV"	ZINC PLATED PRESSED STEEL BODY AND STEEL BALLS	25,4	38	56	14,6±0,3	30±0,3		45	2 x 4,00	4	60

*All measures in mm.

*As special order could be supplied with all stainless steel balls AISI 420-C or main plastic ball and small balls in steel.

BALL TRANSFER UNIT SPS 22 B "SC"

WITH THREE FIXING HOLES IN UPPER FLANGE.
PRESSED STEEL BODY.
BALLS MADE IN CHROME STEEL AISI 52100.



Reference	Specifications	dw	D	A	h	H	H1	E	Ø S	V	Kg Load
SPS 22 B "SC"	ZINC PLATED PRESSED STEEL BODY AND STEEL BALLS	22	33	45	9,8	27,70					120

*All measures in mm.

*As special order could be supplied with all stainless steel balls AISI 420-C or main plastic ball and small balls in steel.